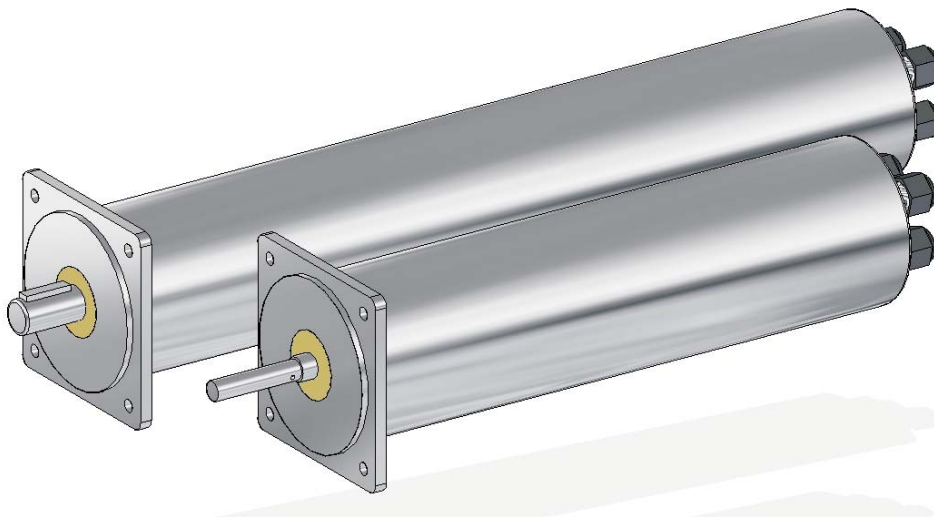


Integrated Servo Motor in Stainless Steel IP67



JVL now offers its world famous integrated servo motor MAC141 in a totally stainless steel version especially for the food and medical industry.

These stainless steel motors are designed to handle IP67 and withstand high pressure wash down conditions. JVL stainless steel servo motor are designed to be a durable solution for long time operation. The concept is based on a totally sealed stainless steel tube with front flange and rear cover also in stainless steel.

The motor used is the MAC141 which is normally rated to 134 W. Since stainless steel has a high thermal resistance, the MAC141 is downgraded to 100 W when used in the stainless steel tube.

The temperature is rising slowly in the tube so it is still possible to use the full RMS and peak torques of 0.48 Nm, but only for shorter time than normally.

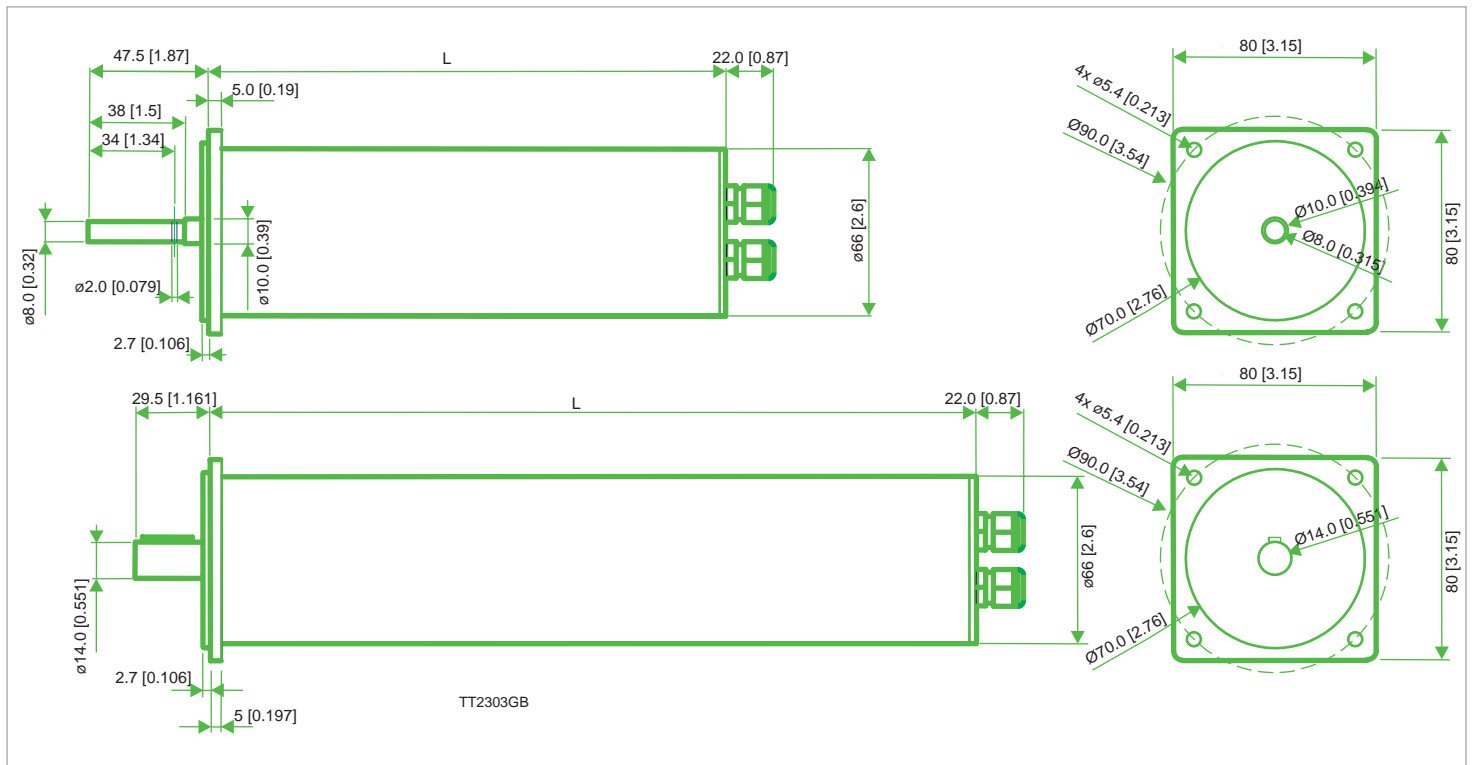
The Stainless MAC will protect itself and shut down if the temperature becomes too high. The continuous power rating of 100 W corresponds to 0.35 Nm at 2.700 RPM or 0.48 Nm at 2.000 RPM

- 100% stainless steel shaft, flange, tube and rear end cover.
- Special Teflon sealing for long lasting waterproof operation.
- Cost-Effective in harsh wet corrosive environment
- Ideal for food processing, liquid, pharmaceutical, wash down, chemical industries,

bakery and beverage machinery and many more

- Shaft seal and leak-proof cable entry provide waterproof sealing in both ends
- Brushless servomotor 0.48/1.59 NM RMS/peak, 100 W and up to 2700 RPM
- Standard, Polyamid IP 68 Cable gland. Stainless steel Cable gland on request.
- Integrated electronics, encoder, driver and controller
- Option for build-in planetary gear 3:1...216:1
- Option for build-in PLC, RS232/485, Profibus, CANbus, Devicenet, or industrial EtherCAT EtherNet/IP, Profinet, Modbus TCP, Sercos III and more)
- Option for pressure valve

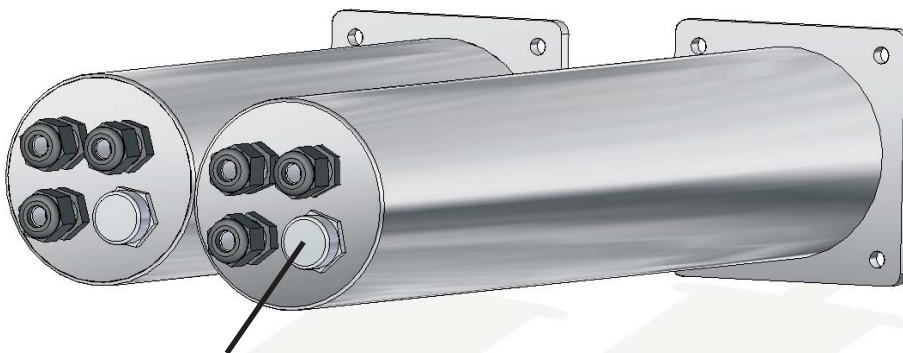
Mechanical dimensions



Material: Stainless Steel EN1.4404 (AISI316L)

Unit	Gear	Torque Nm	Peak torque Nm	Speed RPM	Lengt L mm	Dia shaft mm	Weight Kg
MAC101-A3ASSG-S000	None	0.35	1.59	0-2700	249.0	8.0	2.9
MAC101-A3ASSG-S005	5:1	1.7	7.71	0-540	357,6	14.0	3,7
MAC101-A3ASSG-S009	9:1	3.0	13,45	0-300	357,6	14.0	3,7
MAC101-A3ASSG-S020	20:1	6.6	29,89	0-135	357,6	14.0	3,7
MAC101-A3ASSG-S036	36:1	11.8	53,80	0-75	357,6	14.0	3,7
MAC101-A3ASSG-S100	100:1	32.9	149,6	0-27	357,6	14.0	3,7

MAC100-A3ASSG-Sxxx with MAC140 build-in can be delivered on request.



Optional, presure valve



JVL Industri Elektronik A/S
 Blokken 42
 DK-3460 Birkerød, Denmark
 Tel.: +45 4582 4440
 E-mail: jvl@jvl.dk www.jvl.dk

JVL Deutschland
 Tel.: +49 711 5187 8564
 E-mail: jan.tausend@jvl.dk
www.jvl drives.de

JVL USA
 Tel.: +1 513/877-3134
 E-mail: mfisher@jvlusa.com
www.jvlusa.com